

EAST

Energy Automation
& Security Technologies AG

PRODUCTS CATALOG

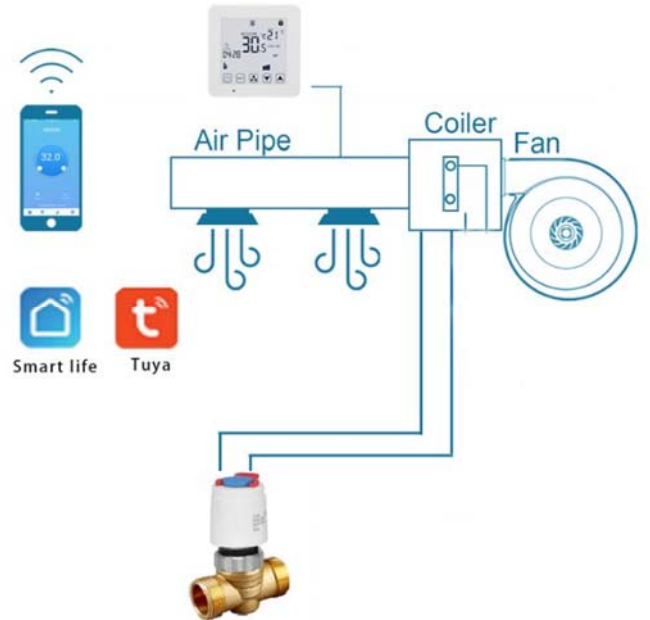


PRODUCTS:

- FAN COIL UNIT THERMOSTAT
- ZONE CONTROL VALVES
- PRESSURE INDEPENDENT CONTROL VALVES
- FCU HOOKUP KITS & DRVs
- UNDER FLOOR SYSTEM CONTROLS



FAN COIL UNIT THERMOSTAT



- ✓ 220 VAC/ 24 VAC.
- ✓ 2pipes, 4 pipes systems.
- ✓ On-off /modulating valve control.
- ✓ 3 speeds / EC fan control.
- ✓ Remote sensor .
- ✓ KEY CARD function.
- ✓ White & black color.



ZONE CONTROL VALVES



2 WAY



3 WAY



4 WAY

Main features

- ✓ Reduced overall dimensions.
- ✓ Easy to install
- ✓ Automatic operation with thermoelectric heads.
- ✓ Brass body
- ✓ EPDM sealing
- ✓ Stainless steel spring
- ✓ Temperature range from 2 C to 120 C
- ✓ Maximum working pressure 16 bar
- ✓ Maximum differential pressure : 1 bar
- ✓ Stroke : 3mm/0.1181 "
- ✓ Available sizes : 1/2" - 3/4" - 1"
- ✓ Male & female threaded connection are available



PRESSURE INDEPENDENT CONTROL VALVES

PICVs are ideal for use in heating/cooling variable flow systems and provide constant flow regulation within a given range of differential pressure drop. Dynamic balancing eliminates overflows regardless of fluctuating pressure conditions in the system.



FCU HOOKUP KITS



Available sizes :
3/4" -1"

DRVs



Available sizes :
0.5" to 2"

UNDER FLOOR SYSTEM CONTROLS

- ROOM THERMOSTAT
- CENTRAL CONTROLLER
- ELECTRIC ACTUATORS



ROOM THERMOSTAT



- ✓ 220 VAC/ 24 VAC.
- ✓ Cool & Heat modes.
- ✓ Remote sensor function.
- ✓ Child lock / open window effect function
- ✓ Frost protection & over heat protection
- ✓ WIFI, ZIGBEE & IR .
- ✓ White & black color.



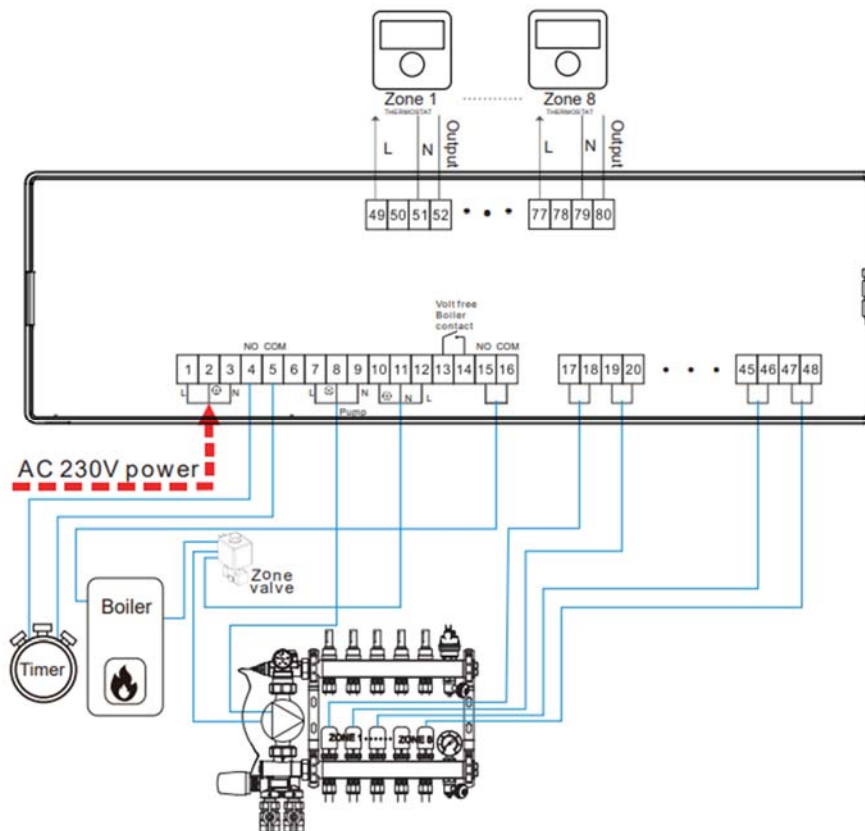
CENTRAL CONTROLLER

The center controller is used to provide a temperature control system for room heating, integrating the switching of primary heating sources with the control of water temperature and mixing devices. This ensures the best possible comfort conditions and also reduces energy consumption.

8 loops Wired type



This 8 zone wired center controller with LED indication light, used on water floor heating system, compatible with gas boiler, zone valve, water pump, timer etc.

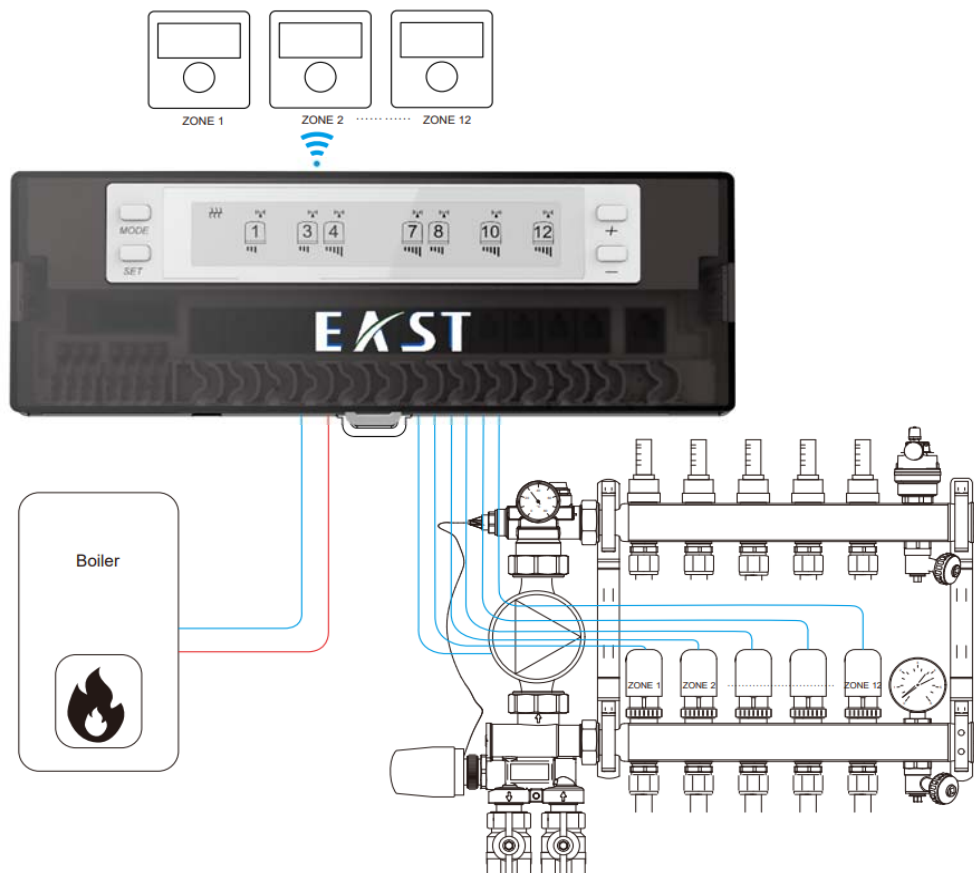


8 loops Wireless type



Is an 8-way wiring wireless control center used with RF series thermostats, It can control thermostats, valves, and actuators; and provides two-way passive contact signals to achieve linkage with water pumps, boilers or other heat sources. Wireless control, easy installation, and one control center can control the entire house.

12 loops Wireless type is available



ELECTRIC ACTUATORS



- ✓ compatible with manifolds and many other brands.
- ✓ thermally activated, slow-opening control
- ✓ NC (Normally closed)/ NO (Normally opened)
- ✓ Manual opening model is available.
- ✓ 4 wires actuator model is available .
- ✓ Modulating 0-10 volt actuators are available.



4 wires type



Manual function

Wireless central controller is an advanced solution for home automation



- ✓ A mobile APP controls the thermostat, allowing you to check your home temperature and adjust it from anywhere.
- ✓ You can control the central control box by controlling the thermostat from your phone.
- ✓ The control box and the thermostat communicate wirelessly through RF WiFi, which covers the entire system, making your home control system very intelligent.
- ✓ Suitable for home system, property system, company office system and other scenarios.

Automate your life
with



Energy Automation & Security
Technologies AG Salmenweg 11,
CH-4057 Basel/Switzerland
Email: info@east-ch.com
Phone +41-79-341 282 33
